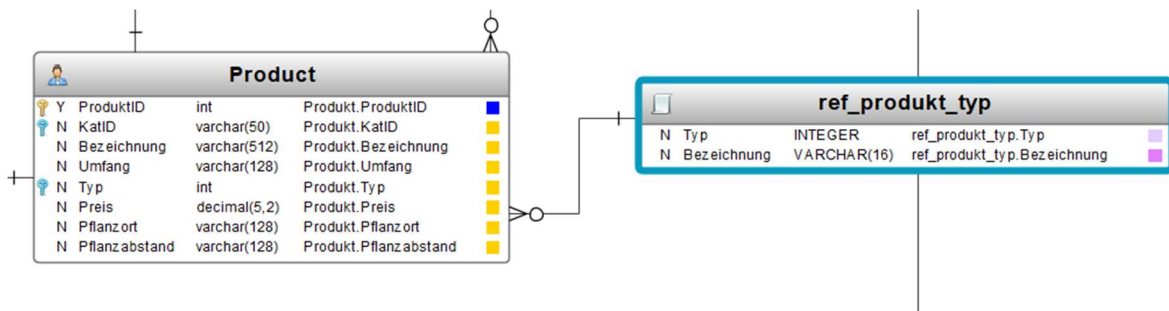


6. Historized Reference Table

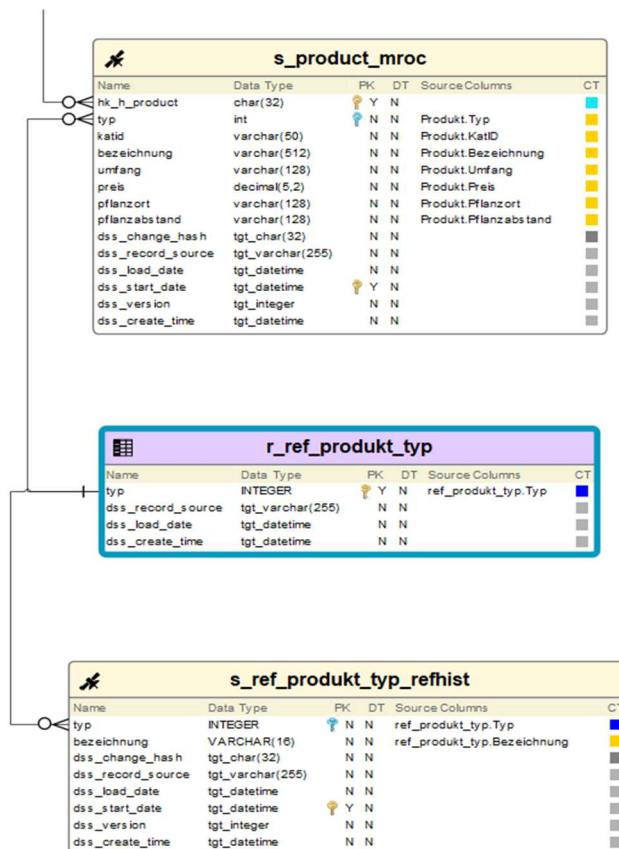
Data Vault design

The reference table is defined with foreign key relationships to the product table. The column "Typ" is tagged as a reference attribute, The column "Bezeichnung" description is tagged as reference attribute history to maintain the changes in a satellite. Satellite suffix: _refhist

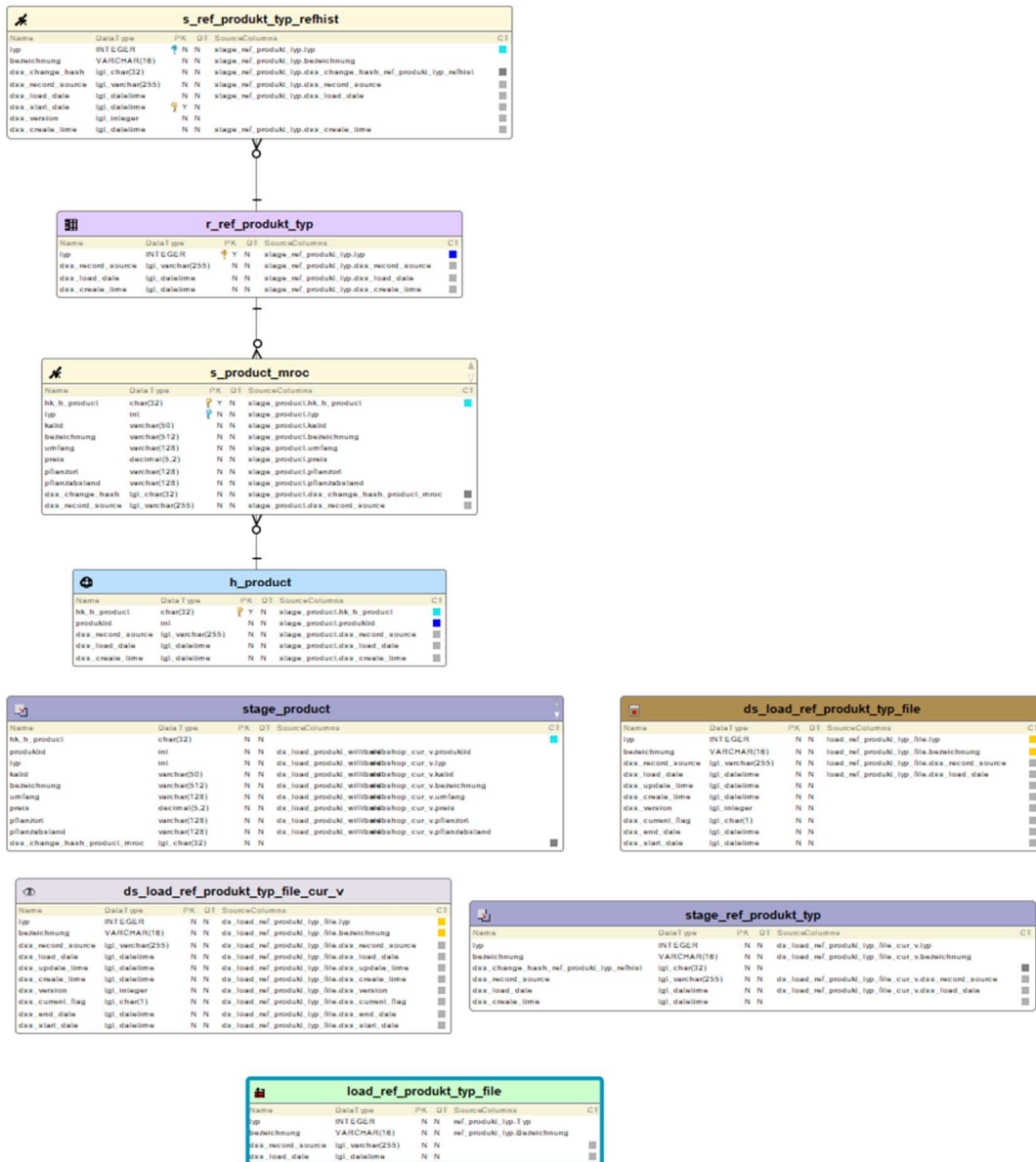
The reference table is created as a normal EDW table r_ref_produk_typ in the data warehouse.



Raw Vault generated automatically by 3D



Load and Staging generated automatically by 3D



Data Lineage in WhereScape RED

Note: WhereScape Red uses the XML File to build the data warehouse objects and all code routines to ingest the load tables, ODS layers, views, stage tables and the raw vault or the business vault layers.



Sample Data of Historized reference table (as a satellite)

The screenshot shows the WhereScape Builder interface. On the left is a development tree with a 'Satellite' folder expanded to show 's_ref_produk_typ_refhist'. The main area displays a data grid for 'Data display for DEMO_DB.DDVG_DATA_VAULT.s_ref_produk_typ_refhist'. The grid contains 5 rows of data with columns for TYP, BEZEICHNUNG, DSS_CHANGE_HASH, DSS_RECORD_ID, DSS_LOAD_DATE, DSS_START_DATE, DSS_VERSION, and DSS_CREATE_DATE. Below the grid is a 'Results' pane showing the SQL execution plan and messages.

TYP	BEZEICHNUNG	DSS_CHANGE_HASH	DSS_RECORD_ID	DSS_LOAD_DATE	DSS_START_DATE	DSS_VERSION	DSS_CREATE_DATE
1	Samen	37420e14c2...	File.ref_pro...	2023-06-04...	2023-06-04...	1	2023-06-04...
2	Setzling	450e62996...	File.ref_pro...	2023-06-04...	2023-06-04...	1	2023-06-04...
3	Pflanze	ef6c0f1be7...	File.ref_pro...	2023-06-04...	2023-06-04...	1	2023-06-04...
5	Baum	0b4d8be904...	File.ref_pro...	2023-06-04...	2023-06-04...	1	2023-06-04...
4	Strauch	49307efe09...	File.ref_pro...	2023-06-04...	2023-06-04...	1	2023-06-04...

Results

Object	Message
s_ref_produk_typ_refhist	WHERE NOT EXISTS (
s_ref_produk_typ_refhist	SELECT 1
s_ref_produk_typ_refhist	FROM DEMO_DB.DDVG_DATA_VAULT.s_ref_produk_typ_refhist s_ref_produk_typ_refhist
s_ref_produk_typ_refhist	WHERE stage_ref_produk_typ.typ = s_ref_produk_typ_refhist.typ
s_ref_produk_typ_refhist	AND stage_ref_produk_typ.dss_change_hash_ref_produk_typ_refhist = s_ref_produk_typ_refhist.dss_change_hash
s_ref_produk_typ_refhist	AND current_rows.dss_start_date = s_ref_produk_typ_refhist.dss_start_date
s_ref_produk_typ_refhist)
s_ref_produk_typ_refhist	;
s_ref_produk_typ_refhist	
s_ref_produk_typ_refhist	
s_ref_produk_typ_refhist	2023-06-04T12:53:39.705 INFO 623 -::Interface:SQLFreeHandle: Freeing statement handle.
s_ref_produk_typ_refhist	2023-06-04T12:53:39.733 INFO 623 Simba::ODBC::Connection::SQLGetInfoW: InfoType: